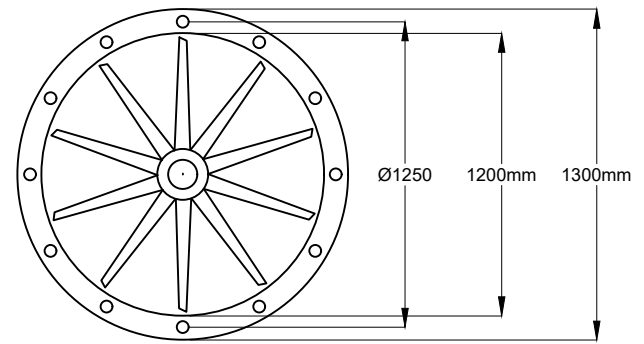
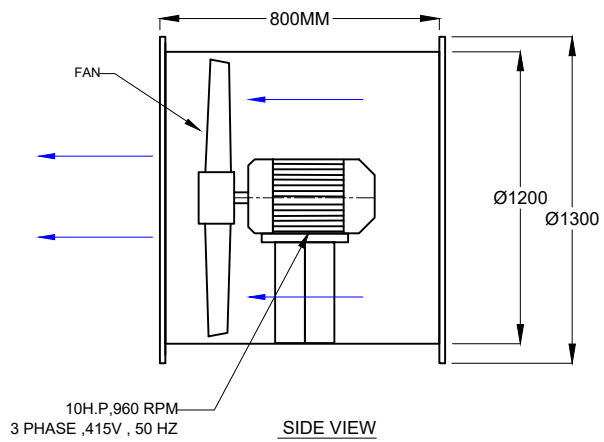


HEAVY DUTY INDUSTRIAL AXIAL FLOW FAN



MATERIAL SPECIFICATION :

CASING	MS IS 2062
BALANCING	AS PER IS-STD 1940
PAINT	RAL7037 DUST GREY
NUT & BOLTS	GI COATED
BIRD SCREEN	M.S ( BOTH SIDE )
MOTOR BODY	CAST IRON
NUMBER OF BLADES- 8 NOS	
MOTOR	FLAME PROOF
IMPELLER	ALUMINIUM CASTING
IMPELLER TYPE	ADJUSTABLE BLADE