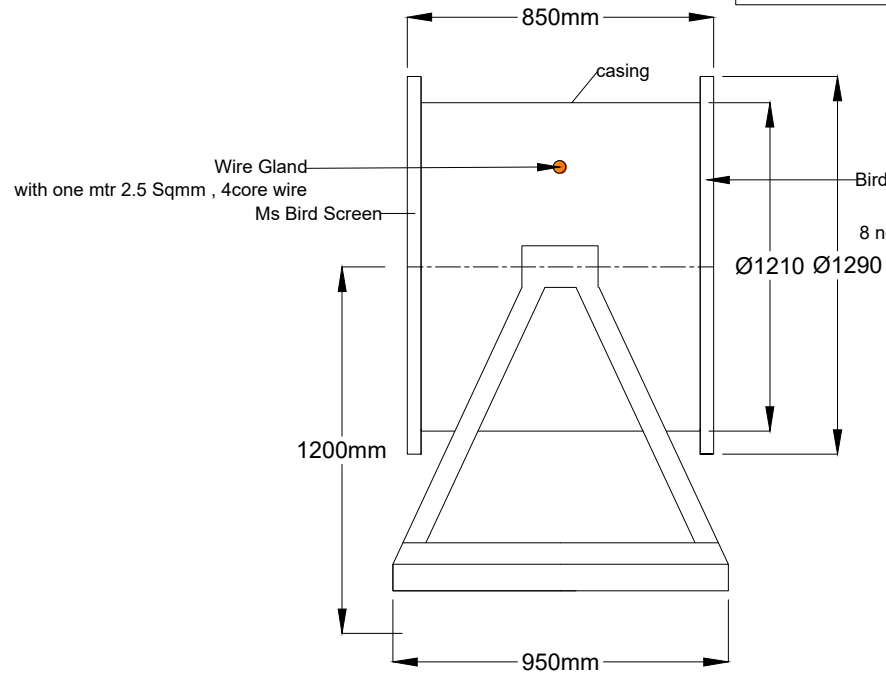
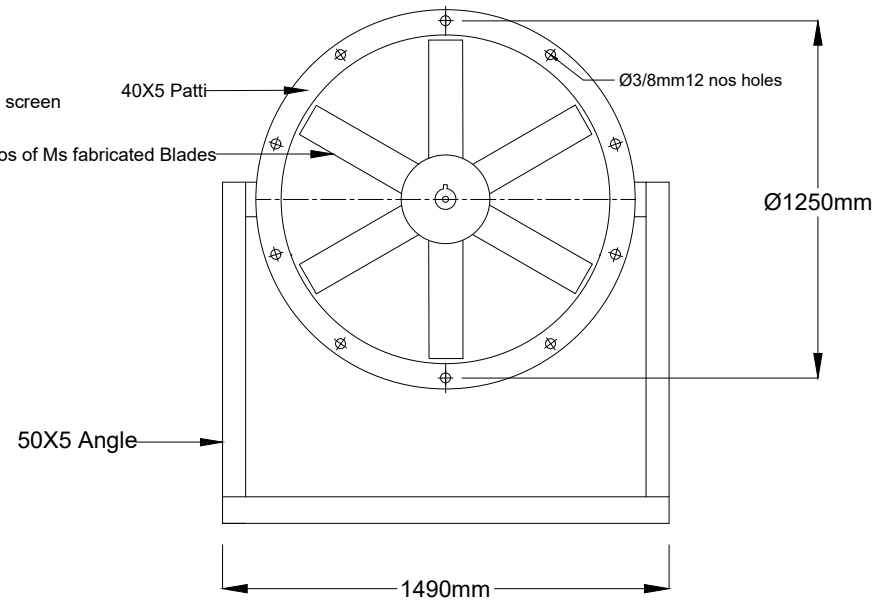


Heavy Duty Industrial Man Cooler



SIDE VIEW



FRONT VIEW

TECHNICAL SPECIFICATION :

MAKE	VAYUVENTS
MODEL	MC-96-1500-43-480
SIZE	DIA.48" (1210mm Sweep)
MOTOR	15HP/ 960 RPM(Havells make)
CAPACITY	75,000 M3/HR
PRESSURE	196 Pascal
<u>M.O.C.</u>	
CASING	MS 3 MM THICK
IMPELLER	MS FABRICATION 8 BLADES
MOTOR STAND	M.S. 50X5 Angle

Note-
All dimensions are in MM
Approx Weight Of Machine - 320 Kg